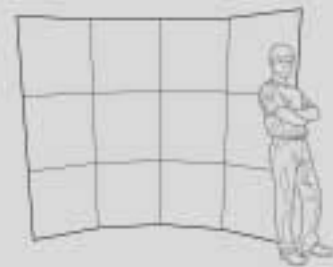
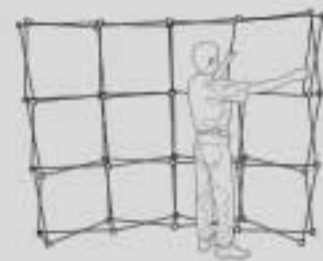


# Classic

## Presentation wall in a bag



Niva Classic represents extra light-weight, portable and effective presentation wall, which provides quick and active presentation of your products. Niva Classic uses special extra light-weight graphic panels with a framing. Framing protects panels against damage. The system is easily portable in two bags, which can be transported in a passenger cars trunk. Flat and curved wall Niva Classic provide different configurations, which can be appended with show-cases, straight and slanted shelves, side panels, lighting, etc.

### Classic

Type of the product/ Technical data	Classic 3x4	Classic 3x3	Classic 3x2	Classic 3x1
Weight* (kg)	14,00	11,60	9,20	9,30
Cover dimensions (cm) WxHxT	80x30x30	80x30x30	80x30x30	80x30x30
Visible ad.area (cm) HxW	curved	204x252	204x189	204x63
	flat	204x272	204x204	204x68
Material	Structure-duralumin, Plastic panel-KAPA plast, 5 mm			
Cover	Blue nylon bag			

\*- weight consists of structure, panels, bags



- 1 Detailed gripping of Classic panels
- 2 Slanted shelf
- 3 Show - case
- 4 Halogen lamp 50 W
- 5 Prestige lamp 200 W
- 6 Bags for the structure and panels



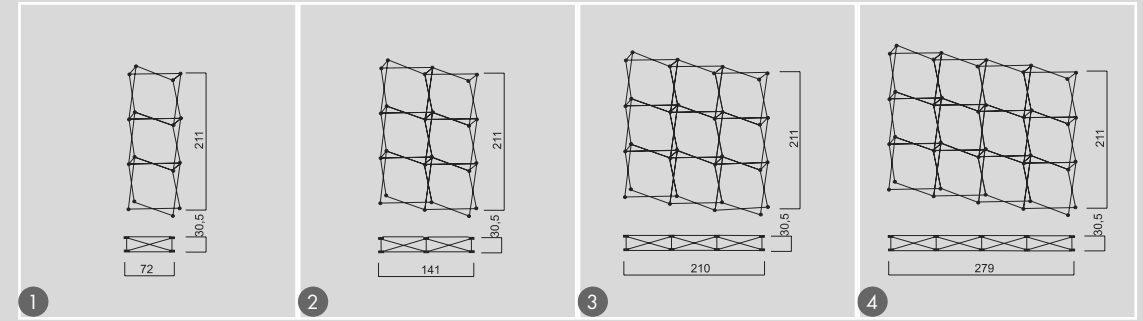


# Classic

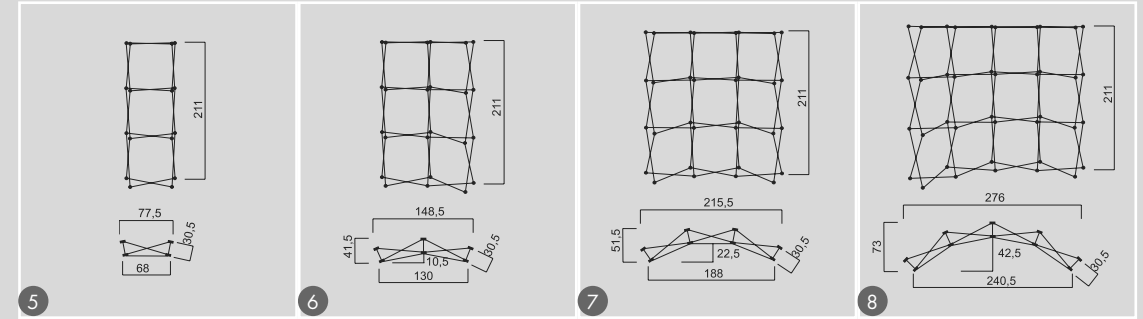
Presentation wall in a bag

## Classic

- 1 Classic flat structure 3x1
- 2 Classic flat structure 3x2
- 3 Classic flat structure 3x3
- 4 Classic flat structure 3x4

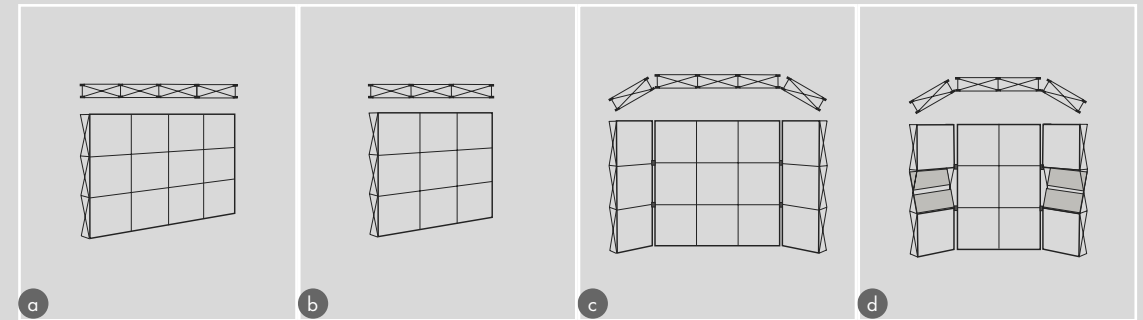


- 5 Classic curved structure 3x1
- 6 Classic curved structure 3x2
- 7 Classic curved structure 3x3
- 8 Classic curved structure 3x4

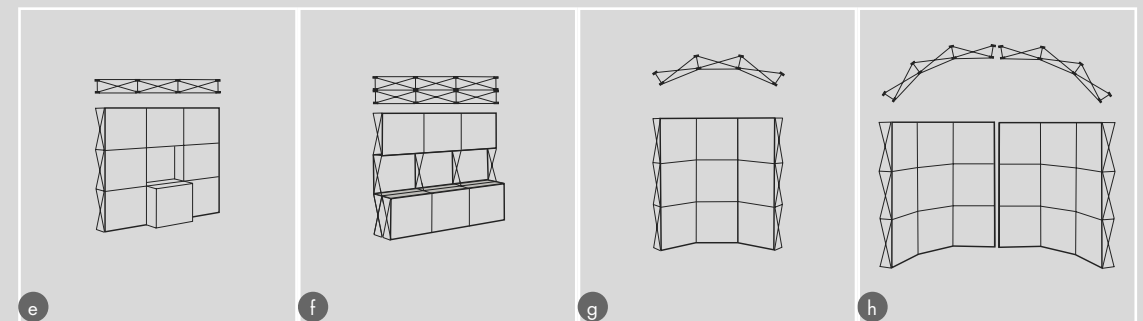


## Classic

- a Classic flat structure 3x4
- b Classic flat structure 3x3
- c Classic flat structure 3x1 + 3x3 + 3x1
- d Classic flat structure 3x1 + 3x2 + 3x1



- e Classic flat structure 3x3 + 1x1
- f Classic flat structure 3x3 + 1x3
- g Classic curved structure 3x3
- h Classic curved structure 3x3 + 3x3



\*PARAMETERS MENTIONED IN THIS PART ARE DIMENSIONS OF THE STRUCTURES, NOT GRAPHIC PANELS