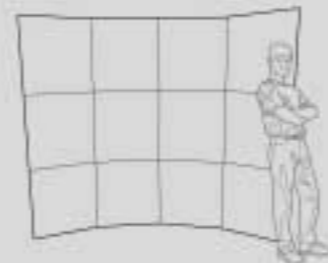
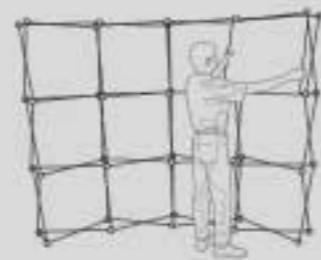


Compact

Presentation wall in a bag



Modern version of the Classic system using no-framed graphic panels, creating compact advertising area with minimal gaps between individual panels. The Compact is easily portable, compact and quickly unfoldable presentation wall, which provides quality presentation on exhibitions, fairs, congresses, seminars, conferences...etc. Flat and curved wall Niva Compact provide different configurations, which can be appended with show-cases, straight and slanted shelves, side panels, lighting, etc.

Compact

Type of the product/ Technical data	Compact 3x4	Compact 3x3	Compact 3x2	Compact 3x1
Weight* (kg)	18,7	15	11,4	7,7
Cover dimensions (cm) WxHxT	80x30x30	80x30x30	80x30x30	80x30x30
Visible ad.area (cm) HxW	curved	204,9x253,2	204,9x189,9	204,9x63,3
	flat	204,9x273,2	204,9x204,9	204,9x68,3
Material	Structure-duralumin, plastic panel-PVC Forex 3mm			
Cover	blue nylon bag			

*- weight consists of structure, panels, bags, stabilization legs



- 1 Detailed gripping of Compact panels
- 2 Slanted shelf
- 3 Show - case
- 4 Halogen lamp 50 W
- 5 Prestige lamp 200 W
- 6 Bags for the structure and panels



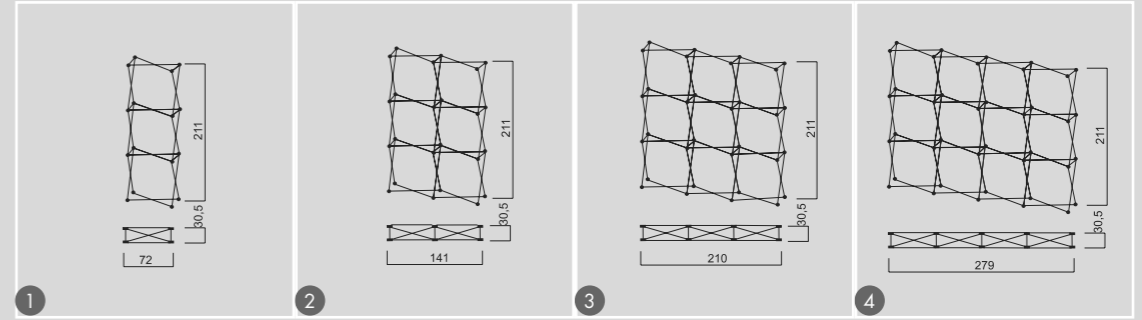


Compact

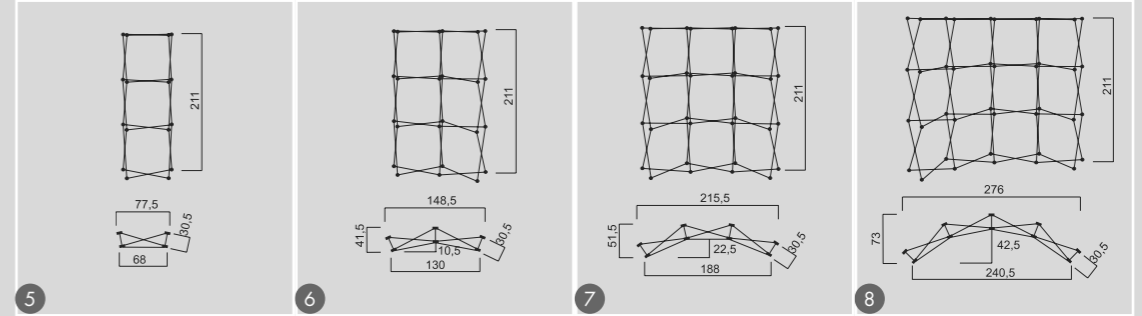
Presentation wall in a bag

Compact

- 1 Compact flat structure 3x1
- 2 Compact flat structure 3x2
- 3 Compact flat structure 3x3
- 4 Compact flat structure 3x4

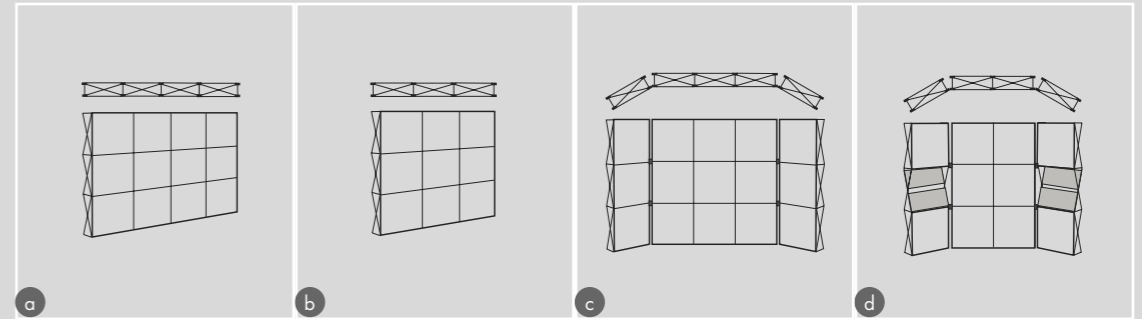


- 5 Compact curved structure 3x1
- 6 Compact curved structure 3x2
- 7 Compact curved structure 3x3
- 8 Compact curved structure 3x4

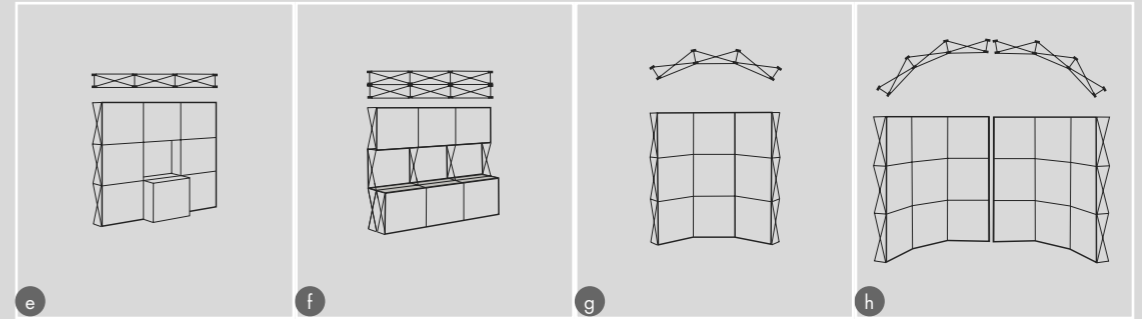


Compact

- a Compact flat structure 3x4
- b Compact flat structure 3x3
- c Compact flat structure 3x1 + 3x3 + 3x1
- d Compact flat structure 3x1 + 3x2 + 3x1



- e Compact flat structure 3x3 + 1x1
- f Compact flat structure 3x3 + 1x3
- g Compact curved structure 3x3
- h Compact curved structure 3x3 + 3x3



*PARAMETERS MENTIONED IN THIS PART ARE DIMENSIONS OF THE STRUCTURES, NOT GRAPHIC PANELS