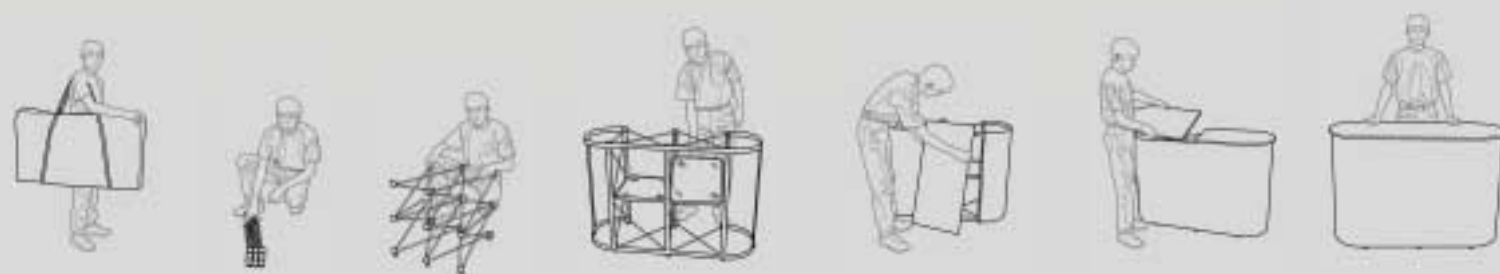


PromoPlus

Exclusive presentation table



Niva PromoPlus is representative of exclusive presentation tables suitable for elegant and professional presentation during the marketing activities. It's useful accessory for exclusive presentation wall Niva Plus as well as Niva Maxi Plus. Plus system provides marketing communication with your target audience by elegant design and professional graphic motives. Exclusive presentation table is available in flat as well as curved version. This system is easy portable in two nylon bags.

PromoPlus

Type of the product/ Technical data	PromoPlus 87 2x1	PromoPlus 140 2x2	PromoPlus 182 2x3
Weight* (kg)	14,1	21,91	29,74
Cover dimensions (cm) WxHxT	106x55x8	106x55x8	106x55x8
Visible ad.area (cm) HxW	curved	65x20x20	65x20x20
	flat	87,6x208,5	87,6x261
Material	87,6x198	87,6x240	87,6x282
Cover	Structure-duralumin, magn.bars-aluminium with eloxal coating, PVC panels-0,4mm, top-wite chipboard blue nylon bag		

*- weight consists of structure with top board, PVC panels, magnetic bars, magn. tapes, bags, 2 shelves



- 1 Detail gripping of magnetic bars
- 2 PromoPlus curved structure 2x1 (back side)
- 3 PromoPlus curved structure 2x1
- 4 PromoPlus curved structure 2x2
- 5 PromoPlus flat structure 2x2
- 6 Atypical PromoPlus



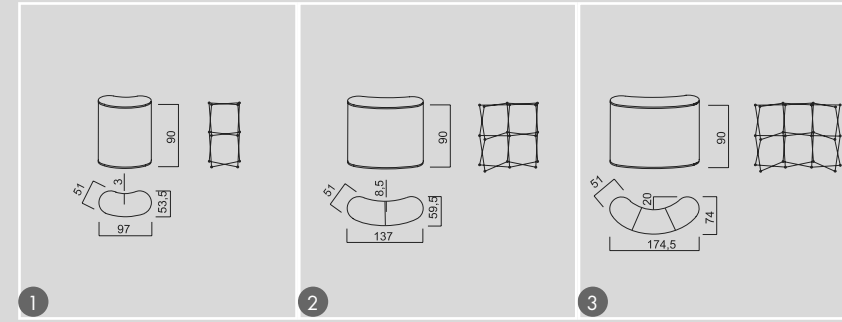


PromoPlus

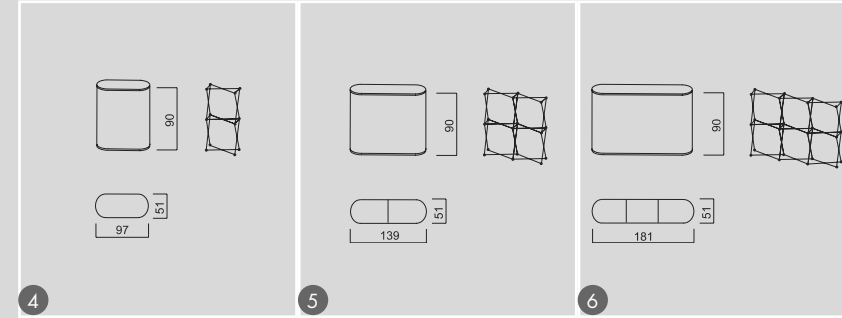
Exclusive presentation table

PromoPlus

- 1 PromoPlus curved structure 2x1
- 2 PromoPlus curved structure 2x2
- 3 PromoPlus curved structure 2x3

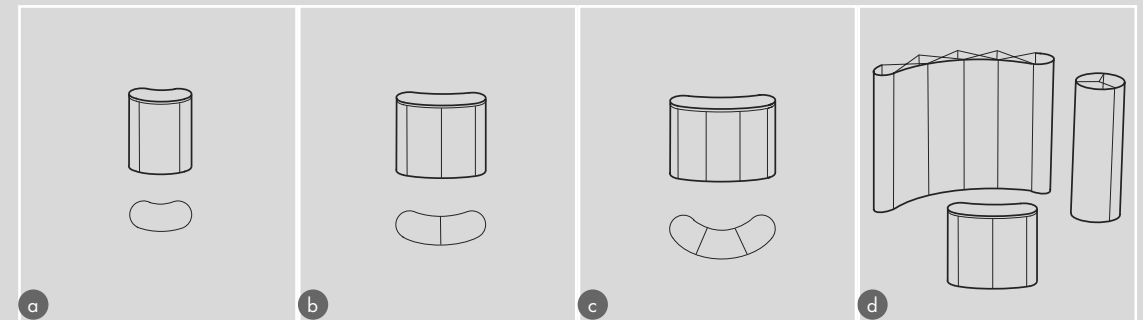


- 4 PromoPlus flat structure 2x1
- 5 PromoPlus flat structure 2x2
- 6 PromoPlus flat structure 2x3

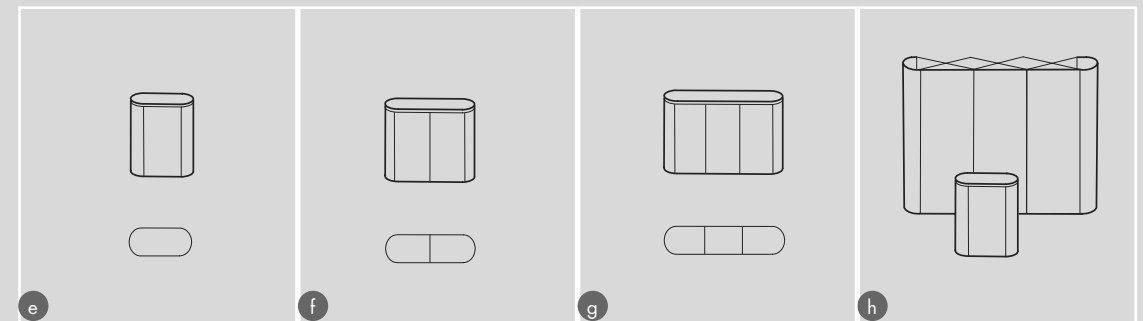


PromoPlus

- a PromoPlus curved structure 2x1
- b PromoPlus curved structure 2x2
- c PromoPlus curved structure 2x3
- d Plus 3x4 + Tower 3x1 + PromoPlus 2x2



- e PromoPlus flat structure 2x1
- f PromoPlus flat structure 2x2
- g PromoPlus flat structure 2x3
- h Plus 3x3 + PromoPlus 2x1



*PARAMETERS MENTIONED IN THIS PART ARE DIMENSIONS OF THE STRUCTURES, NOT GRAPHIC PANELS