

# Niva Roll Up

## Smart Roll Up

## Mini Roll Up



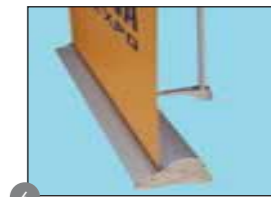
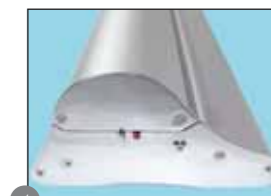
Smart Roll Up: New generation of Roll Up with perfect design and easily changeable graphic motive. Just press a special safety lock on the side of construction and you can quickly and easily change a graphic panel. Graphics is not fastened by self-adhesive tape anymore but uses the newest technology of fixing by using CLIP lugs on upper slat and winding mechanism too

Mini Roll Up: Despite its small size, Mini Roll Up provides big presentations in a very high quality. It merges advantages of two systems - Roll Up and Banner Stand. Graphics is protected in a small but elegant aluminium cover with a removable stabilization leg. For this stand, we use the newest technology of fixing the graphic panel to construction by using CLIP lugs on the upper slat and winding mechanism too.

### Niva Roll up

Type of the product/ Technical data	Smart Roll Up	Mini Roll Up
Technical data	85 cm	85 cm
Weight* (kg)	4,80	4,40
Cover dimensions (cm) WxHxT	94x11x25	92x11x18
Visible ad. area (cm) HxW	213x84,5	213x84,5
Material	Aluminium with anodized coating	
Cover	Black nylon bag	

\* - weight consists of structure without graphic panel, with bag



- 1 Smart Roll Up - side view
- 2 Smart Roll Up - open
- 3 Smart and Mini Roll Up clip winding mechanism
- 4 Mini Roll Up - side view
- 5 Mini Roll Up - open
- 6 Mini Roll Up - stabilizing leg



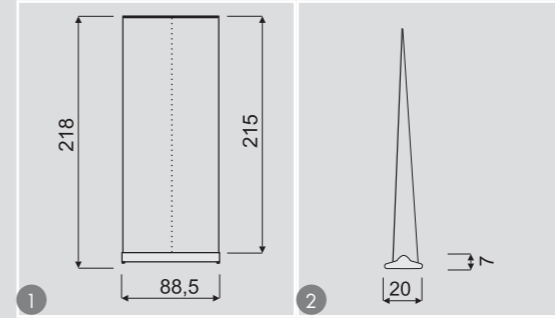


# Niva Roll Up

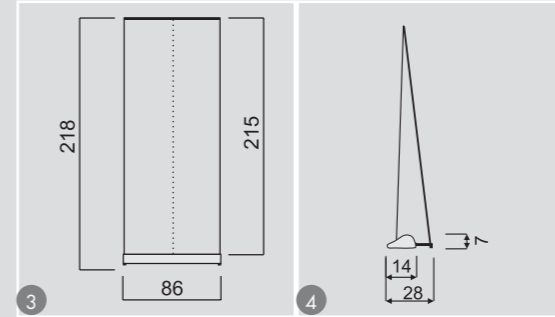
Exchangeable roll up system

## Roll Up

- 1 Smart Roll Up
- 2 Smart Roll Up - side view

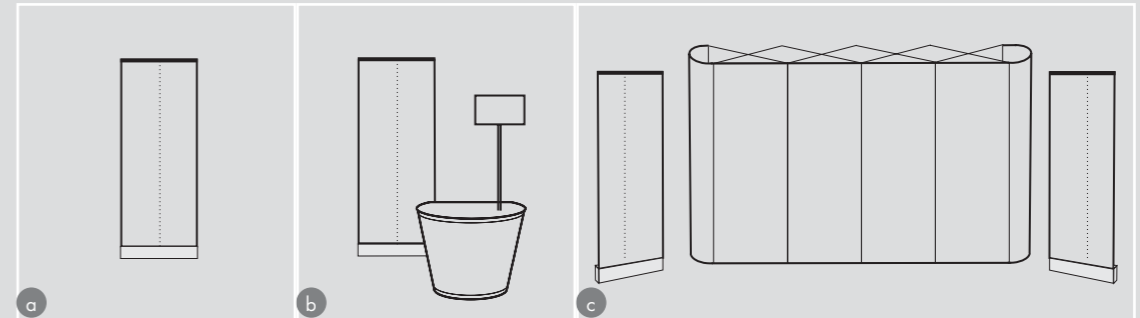


- 3 Mini Roll Up
- 4 Mini Roll Up - side view

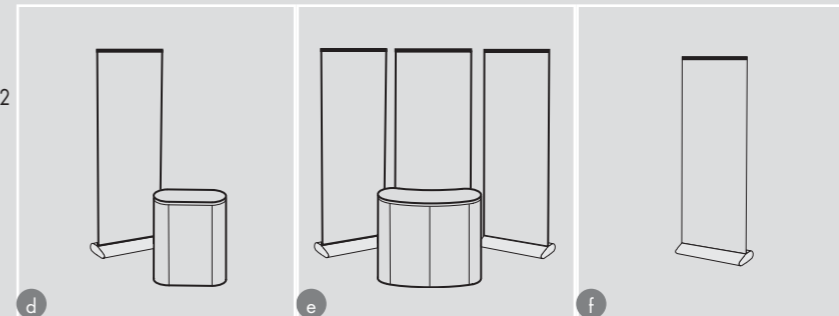


## Roll Up

- a Mini Roll Up
- b Mini Roll Up + Promotor Funnel
- c Mini Roll Up 2x + Niva Plus 3x4



- d Smart Roll Up + PromoPlus 2x1
- e Smart Roll Up 3x + PromoPlus 2x2
- f Smart Roll Up



\*PARAMETERS MENTIONED IN THIS PART ARE DIMENSIONS OF THE STRUCTURES, NOT GRAPHIC PANELS