

Tower

Effective presentation pillar



Niva Tower is an effective advertising medium to provide bigger interest of your target audience. It brings effective advertising message on the relatively small space seeable from the each angle of vision. Niva Tower communicates with your target audience and brings excellent way how to express your message. Niva Tower is delivered in practical nylon tube.

Tower

Type of the product/ Technical data	Tower 3x1	MxiTower 3x1
Weight* (kg)	12,4	14,1
Cover dimension (cm) HxD	76x36	76x36
Visible ad.area (cm) HxW	208,5x210	231,5x210
Material	Structure-duralumin, magnetic bars-aluminium with eloxal coating, PVC 0,4mm	
Cover	blue plastic case	

*- weight consists of structure, PVC panels, magn. bars, magn. tapes, tube



- 1 Detail gripping of magnetic bars
- 2 Plastic case for the structure, bars and panels
- 3 Halogen lamp 50 W
- 4 Tower 1x1, 2x1, 3x1



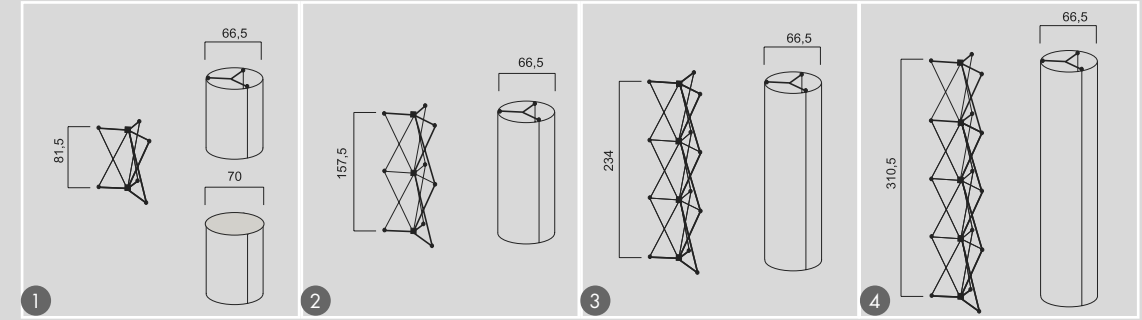


Tower

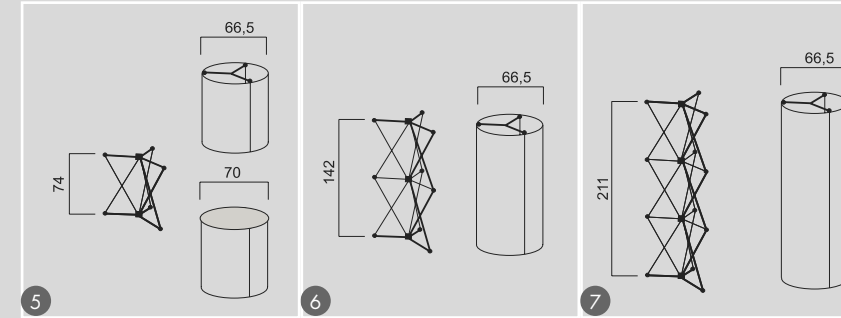
Effective presentation pillar

Maxi Tower + Tower

- 1 Maxi Tower structure 1x1
- 2 Maxi Tower structure 2x1
- 3 Maxi Tower structure 3x1
- 4 Maxi Tower structure 4x1

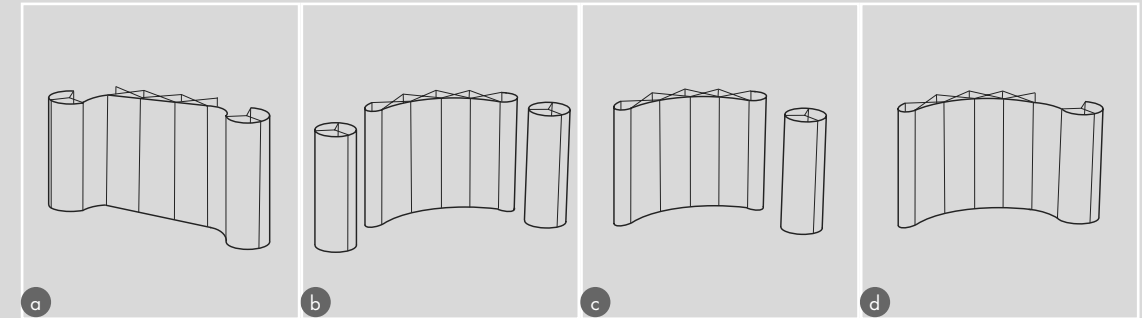


- 5 Tower structure 1x1
- 6 Tower structure 2x1
- 7 Tower structure 3x1

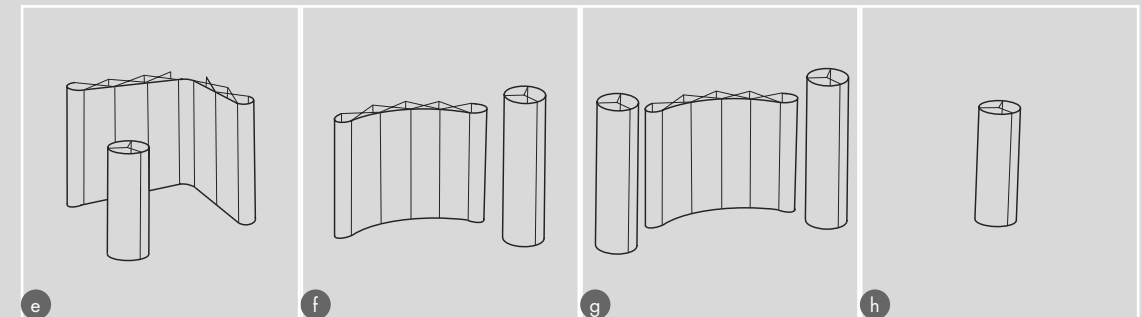


Tower

- a Tower 3x1 + Plus 3x3 + Tower 3x1
- b Tower 3x1 + Plus 3x4 + Tower 3x1
- c Plus 3x4 + Tower 3x1
- d Plus 3x4 + Tower 3x1



- e Tower 3x1 + Plus 3x3 + Plus 3x2
- f Plus 3x4 + Tower 4x1
- g Tower 4x1 + Plus 3x4 + Tower 4x1
- h Tower 3x1



*PARAMETERS MENTIONED IN THIS PART ARE DIMENSIONS OF THE STRUCTURES, NOT GRAPHIC PANELS