

VarioDesk

Design Your very own table



Niva VarioDesk brings You the brand new way of presentation. We are offering You elegant tables made of wood and stainless steel, joined by strong magnets, which shape can be designed according to Your likings. If the standard production shape of the wooden boards is not suiting Your needs and likings try to draw the one which will suit it. We will do our best to produce it. Despite of the fact that joining elements are magnets, the table is highly stable and able to bear up to 60 kg of weight on the top board. Mounting of VarioDesk is so easy, that You don't need any tools at all. Only one carrying bag is needed during transport. You can have it in the color which You like most. VarioDesk tables are developed to meet Your needs as much as is possible.

VarioDesk

Type of the product/ Technical data	VarioDesk 1A	VarioDesk 1B	VarioDesk 1C
Weight* (kg)	15,00	14,50	14,50
Cover dimension (cm) WxHxT	94x59x17	94x59x17	94x59x17
Visible ad.area (cm) HxW	87,5x150	87,5x91,5	83,7x48,8
Material	Wood, stainless steel		
Cover	blue nylon bag		

*- weigh consists of structure, without graphic panel with bag



- 1 VarioDesk parts
- 2 VarioDesk easy handling
- 3 VarioDesk 1A - back view
- 4 VarioDesk 1C without clip frame



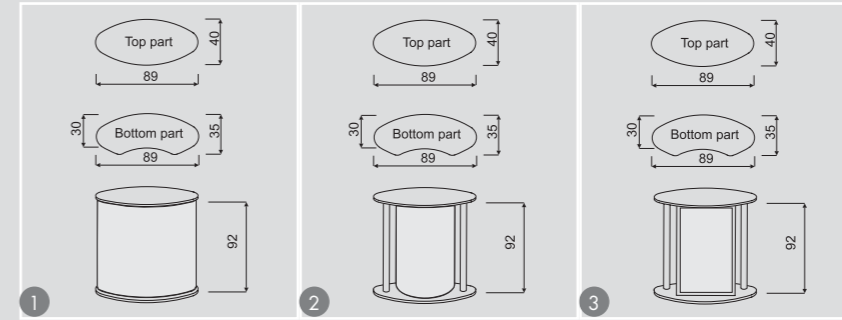


VarioDesk

Design Your very own table

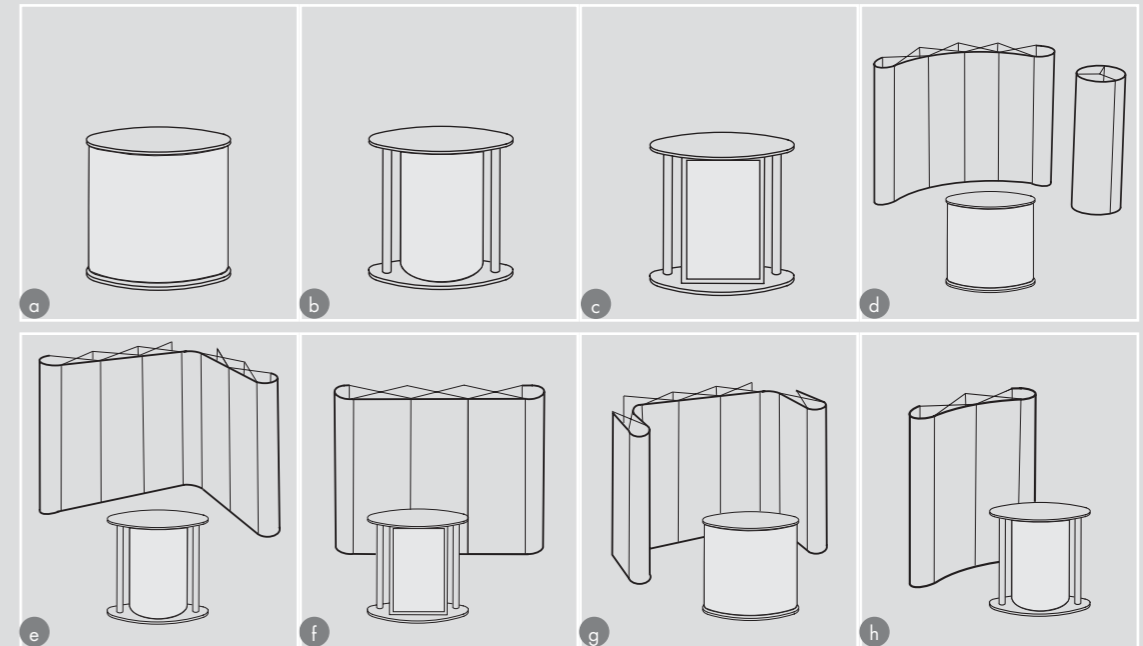
VarioDesk

- 1 VarioDesk 1A
- 2 VarioDesk 1B
- 3 VarioDesk 1C



VarioDesk

- a VarioDesk 1A
- b VarioDesk 1B
- c VarioDesk 1C
- d VarioDesk 1A + Niva Easy Wall 3x4 + Tower 3x1
- e VarioDesk 1B + Niva Plus 3x3 flat + Niva Plus 3x2 flat
- f VarioDesk 1C + Niva Plus 3x3 flat
- g VarioDesk 1A + Niva Plus 3x1 flat 2x + Niva Plus 3x3 flat
- h VarioDesk 1B + Niva Easy Wall 3x2



*PARAMETERS MENTIONED IN THIS PART ARE DIMENSIONS OF THE STRUCTURES, NOT GRAPHIC PANELS