

Speedy Roll Up Scrolling

Standing

Hanging



At present, advertisement becomes more and more creative. Therefore, we offer you the outstanding product to help you with the promotion activities. You have opportunity to attract your target audience by more than 4 meters advertising area rotating around. Roll Up Scrolling Standing and Hanging is a kind of fashionable products with strong impact on your target group. It has an electric vivid image, equably circumrotation and attractive outlook. It's suitable for seminars, meetings, tasting, exhibitions, trade shows and all kind of promotional activities. It's delivered together with certified EU 12V transformer as well as with shock resistant padded vinyl carry bag.

Roll up Scrolling

Type of the product/ Technical data	Roll up Scrolling	
	standing 200/85 cm	hanging n/95 cm
Weight* (kg)	6,80	3,00
Cover dimension (cm) WxHxT	91x15x26	95x13x13
Visible ad.area (cm) HxW	407x77,5	(100-350)x82
Material	Aluminium with anodized coating	
Cover	Black nylon bag	

*- weigh consists of structure, without graphic panel with bag

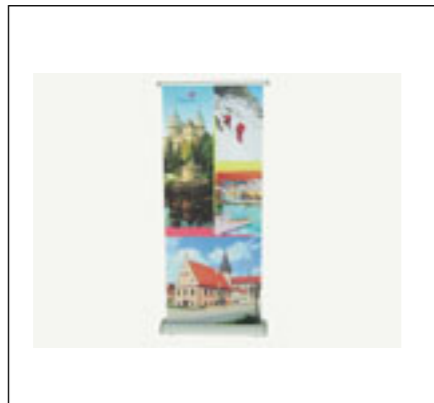


- 1 Roll Up Scrolling - all parts
- 2 Roll Up Scrolling Standing - side view (bottom part)
- 3 Roll Up Scrolling Standing - side view (top part)
- 4 Roll Up Scrolling Hanging with folded graphic panel
- 5 Remote control for ON/OFF



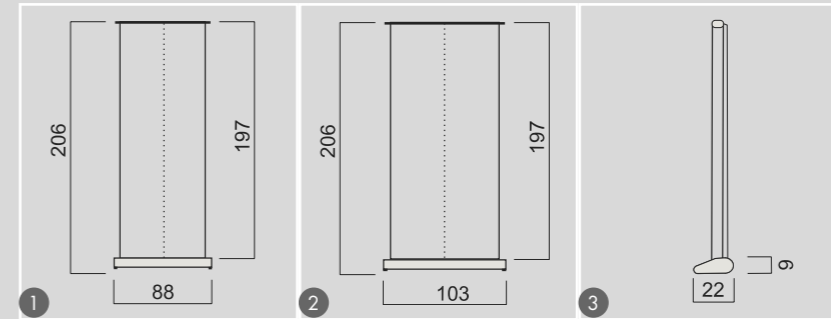
Speedy Roll Up Scrolling

Intelligent roll up scrolling system

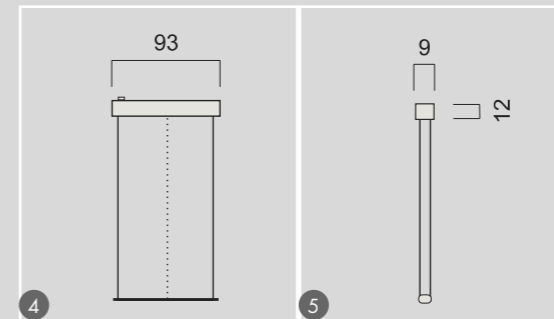


Roll Up Scrolling

- 1 Roll Up Scrolling Standing 85
- 2 Roll Up Scrolling Standing 100
- 3 Roll Up Scrolling Standing - side part

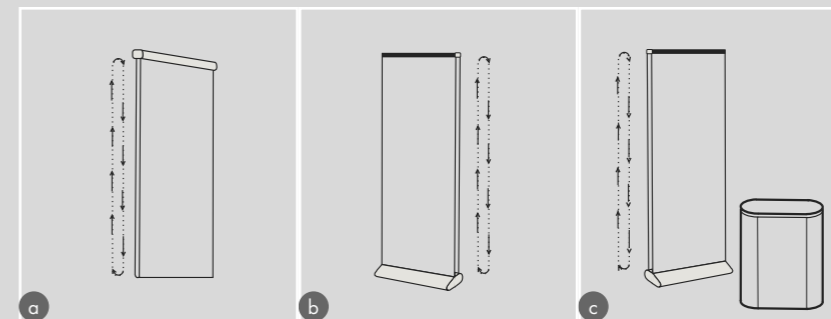


- 4 Roll Up Scrolling Handing
- 5 Roll Up Scrolling Handing - side part



Roll Up Scrolling

- a Roll Up Scrolling Handing
- b Roll Up Scrolling Standing
- c Roll Up Scrolling Standing + PromoPlus 2x1



*PARAMETERS MENTIONED IN THIS PART ARE DIMENSIONS OF THE STRUCTURES, NOT GRAPHIC PANELS